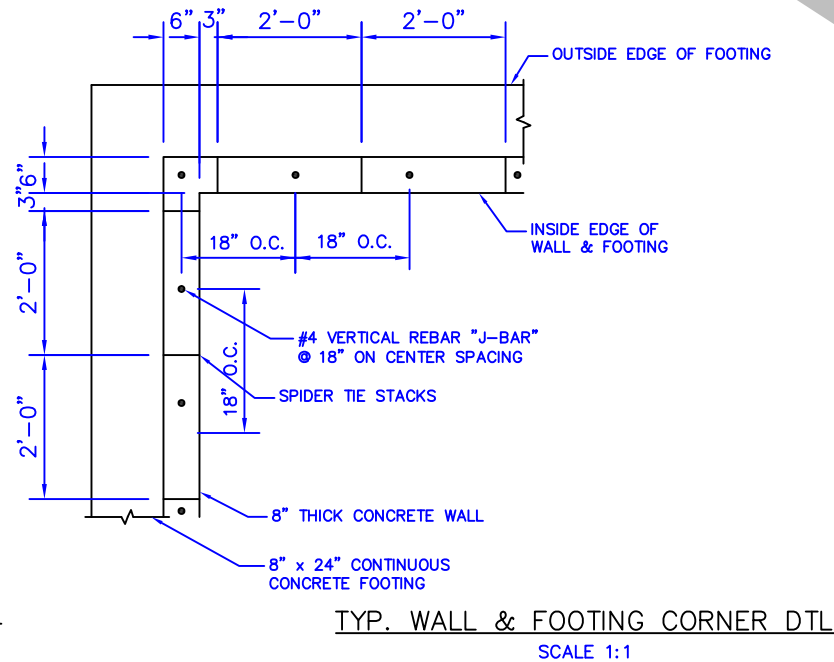
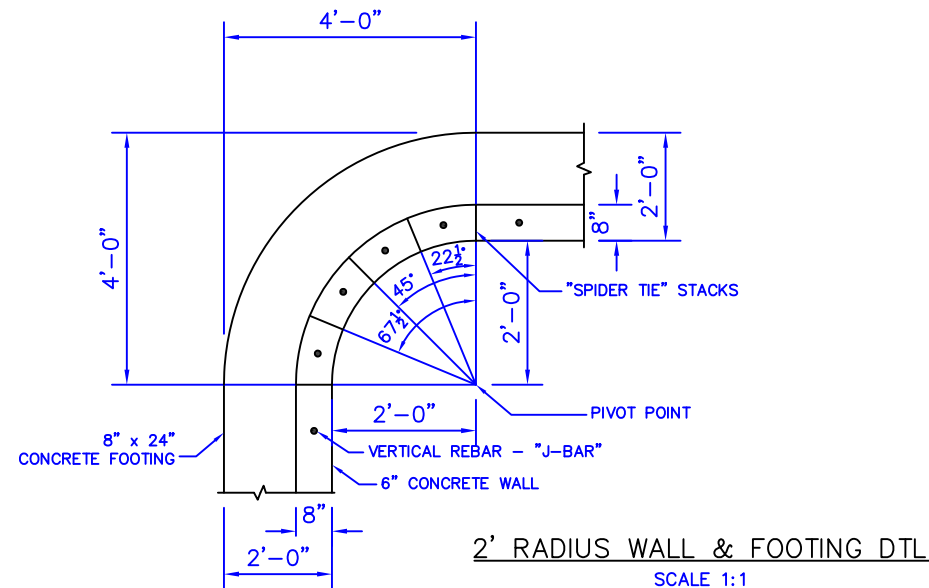
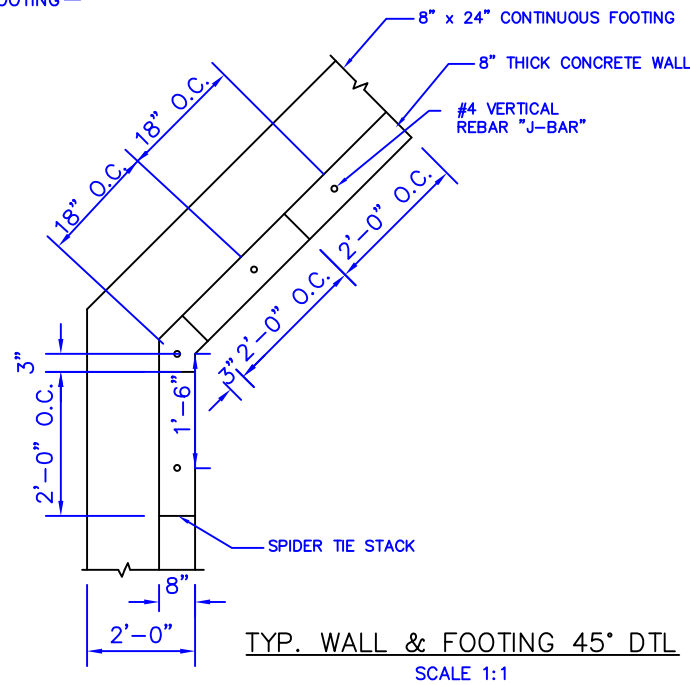
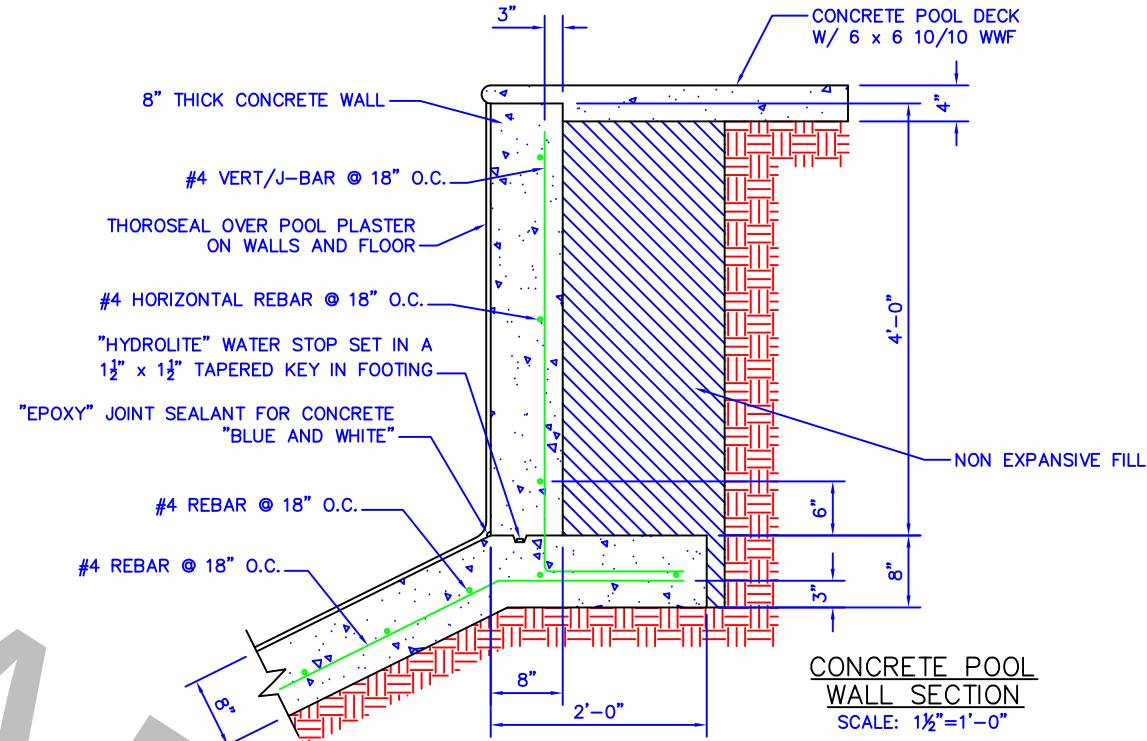
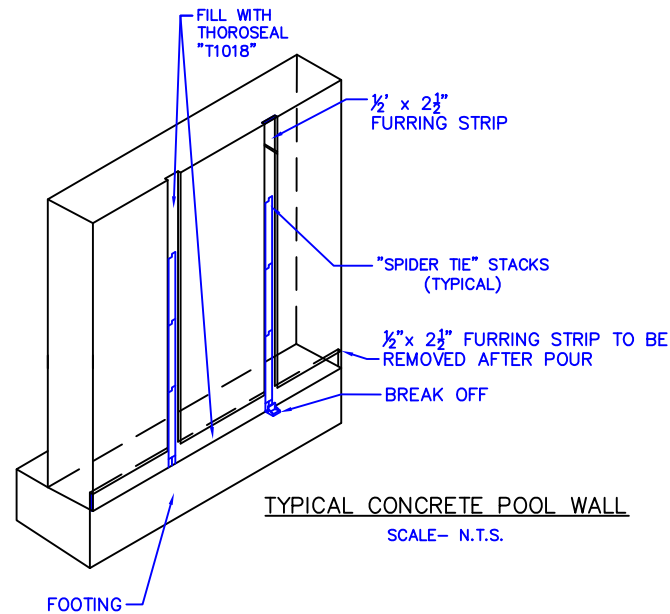


NOTE: THIS DRAWING IS NULL AND VOID UNLESS SIGNED, SEALED, AND DATED BY CARL E. THOMPSON, JR., P.E.



POC OWNER/LOCATION:  
OWNER  
STREET ADDRESS  
CITY COUNTY, STATE

I HEREBY CERTIFY THAT I HAVE REVIEWED THIS DRAWING AND THE DESIGN CALCULATIONS FOR WHICH IT WAS MADE AND I AM A LICENSED ENGINEER IN THE STATES OF AL, AR, AZ, CA, CT, CO, FL, GA, IL, IN, IA, KS, LA, MD, MI, MN, MS, MO, NC, NJ, NM, NV, NY, OH, OK, PA, SC, TN, TX, VA, WV, AND WI. THIS DRAWING IS NULL AND VOID UNLESS SIGNED, DATED, AND SEALED FOR THE APPROPRIATE STATE AT THE OWNER'S ADDRESS SPECIFICALLY LISTED.

DATE CARL E. THOMPSON, JR., P. E.

Spider Tie "Wet"  
P.O. BOX 309  
PROVIDENCE, UT 84332

STANDARD ASSEMBLY DRAWING & POOL CORNERS

**TES** THOMPSON  
ENGINEERING  
SERVICES, LLC

P.O. BOX 747  
ATHENS, TN 37371-0747  
(423)745-0644

DRAWN BY:	CJW
DATE:	08/04/10
SCALE:	AS NOTED
PROJ.#	000510
DWG.#	EB-3828

**GENERAL NOTES:**

1. All pools are N.P.S.I. Type II and only Type II equipment is to be used, unless otherwise noted.
2. Vertical dimensions on all pools are from concrete wall heights.
2. Structural Design complies with the 2006 International Building Code.

**EXCAVATION NOTES:**

1. Surrounding land elevation to be 6" lower than top of pool.
2. 2' to be allowed all around pool for working area in excavation. All voids under panels to be filled and compacted in 6" to 8" layers.
3. At no time should compacted backfill exceed water level or vice versa more than 12".
4. Use non-expansive material (no clay content) for backfill (i.e., sand, gravel, etc.).

**FOUNDATION NOTES:**

1. Footing design based on 2000 PSF soil bearing capacity (minimum).
2. Neither Carl E. Thompson, Jr., P.E. nor Spider Tie "Wet", shall be responsible for local foundation design, as local conditions must be investigated to determine proper soil bearing capacity.

**MATERIAL SPECIFICATIONS:**

<u>Pool Liner</u>	Pool Plaster with Thoroseal
<u>Concrete</u>	f'c=2500 PSI @ 28 days
<u>Reinforcing Steel</u>	ASTM-A615-GR 60
<u>Water Stop</u>	Hydrotite CJ - 0725-3K or Equal
<u>Joint Sealant</u>	Leakmaster LV-1 water swelling sealant or Equal