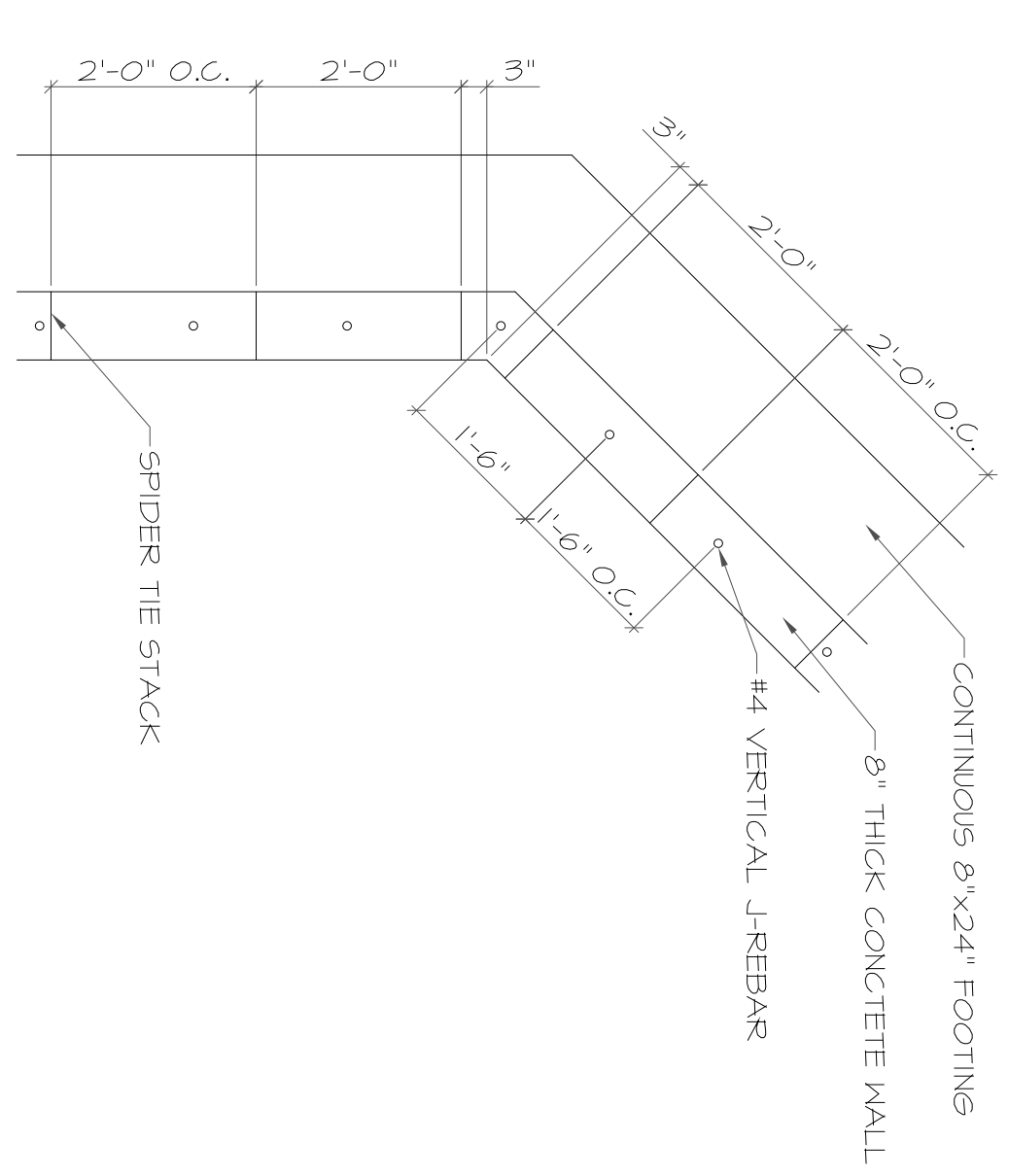
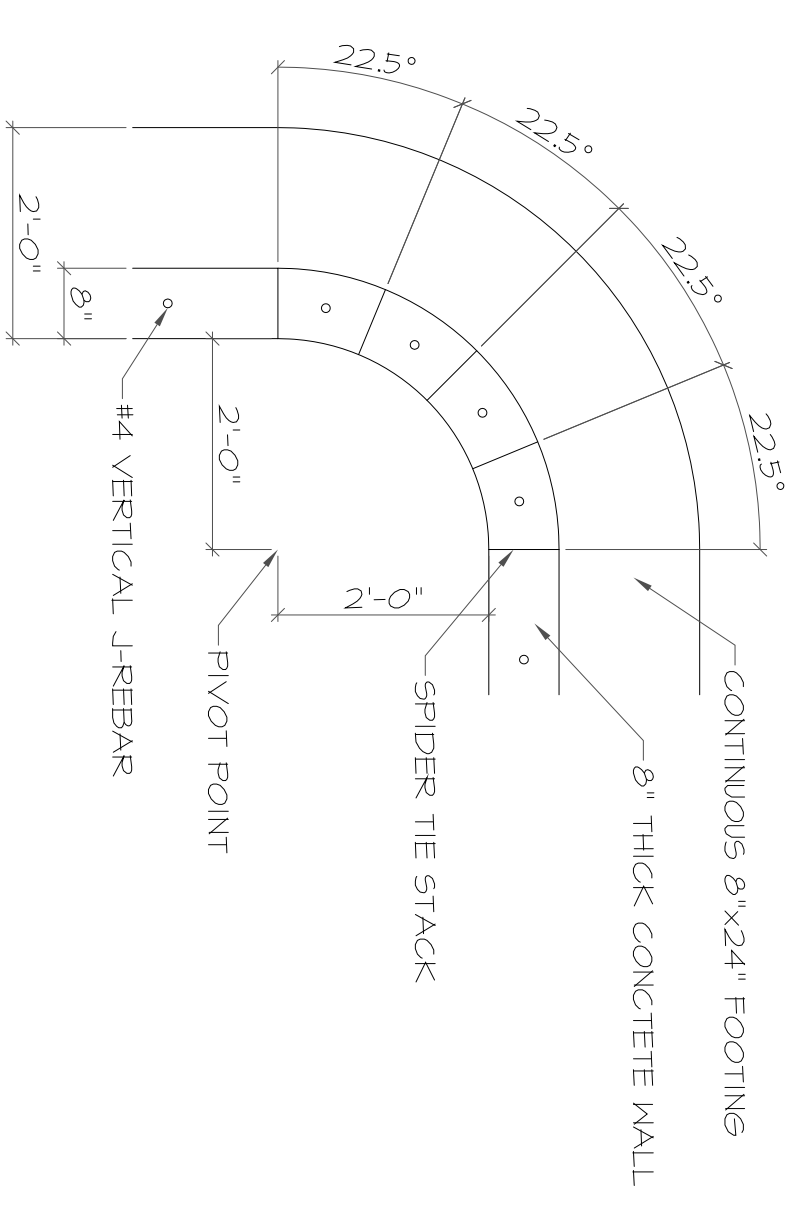


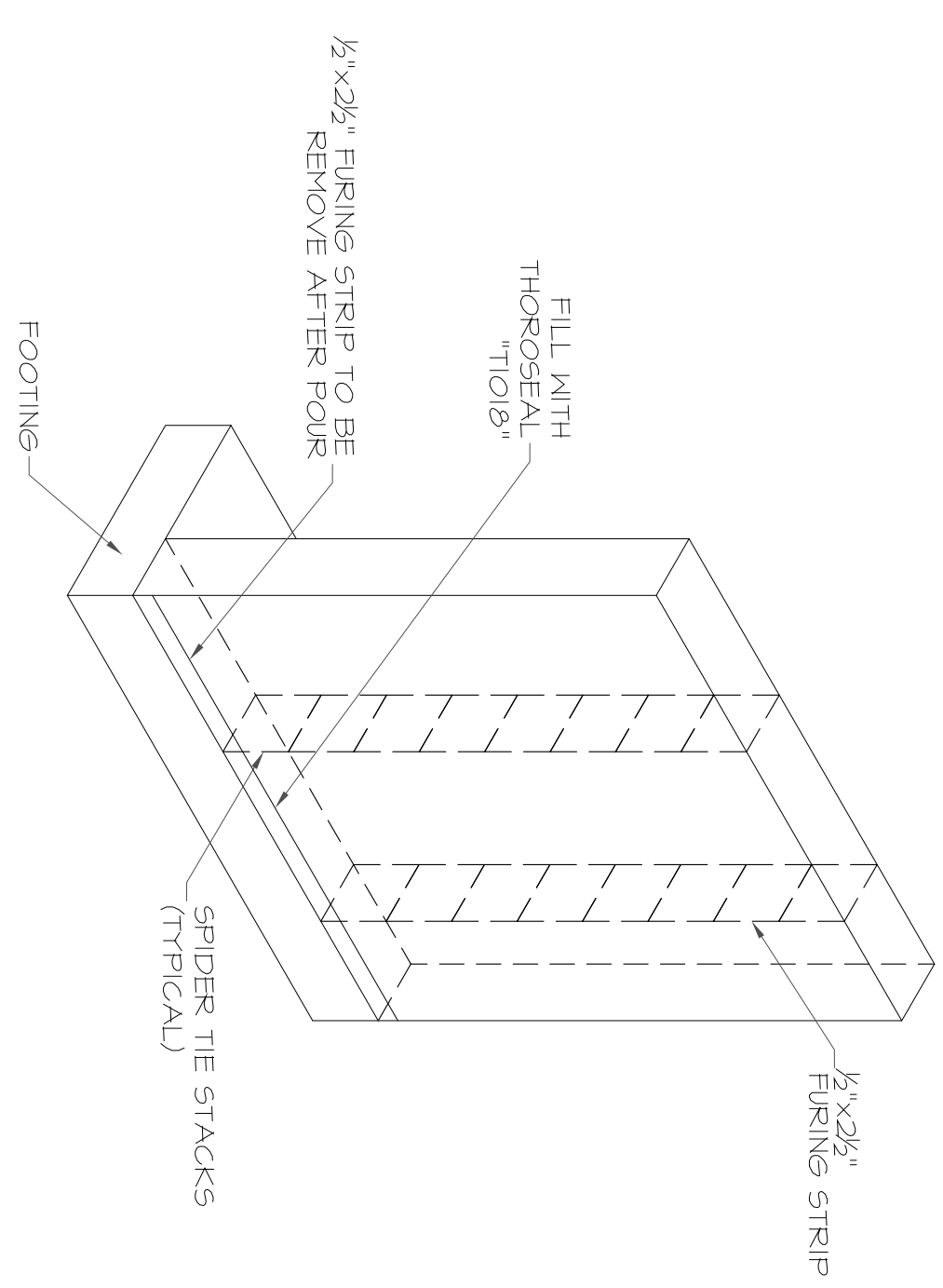
1 TYPICAL WALL & FOOTING CORNER DTL  
S11 SCALE: 1/2" = 1'-0"



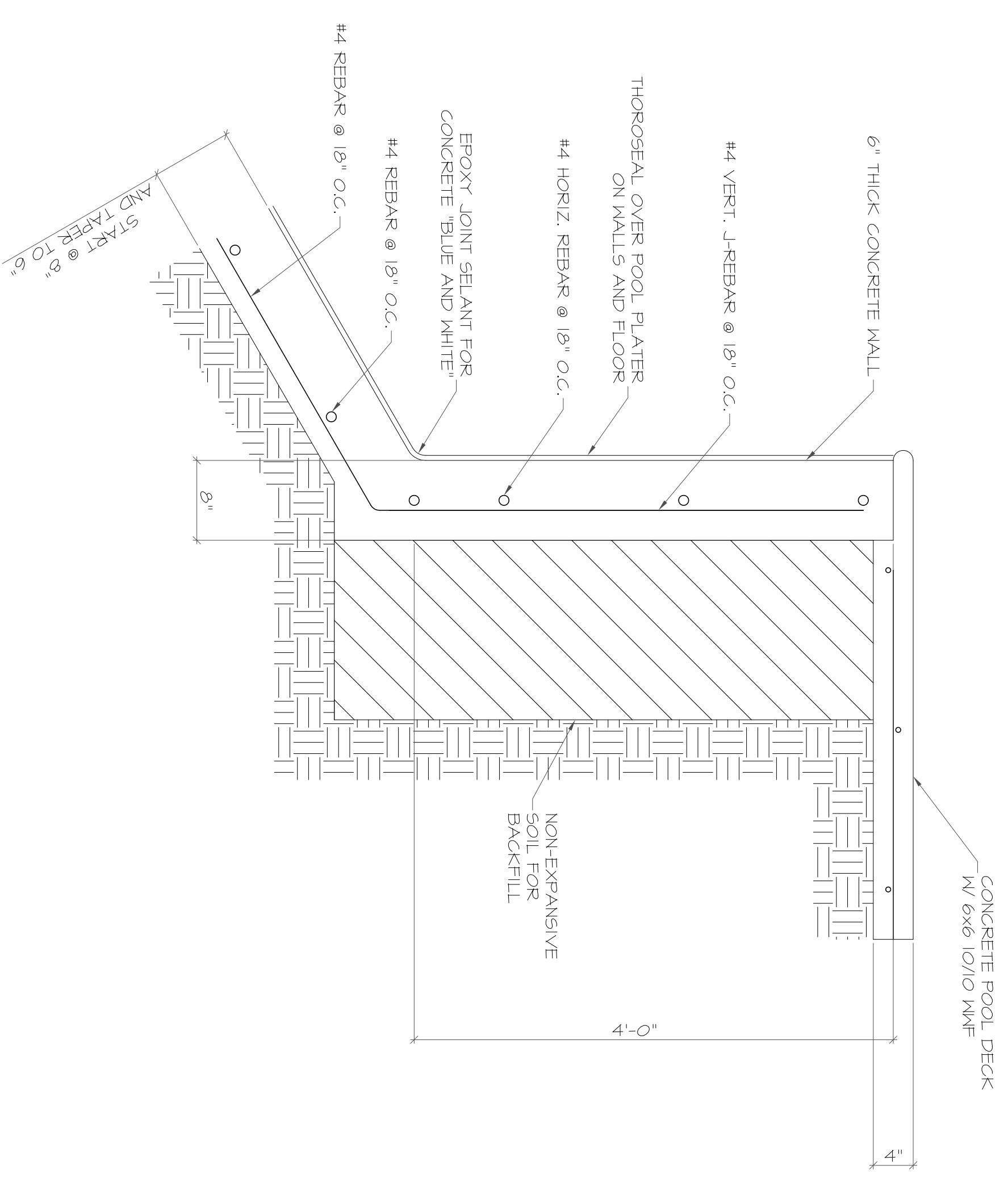
2 TYPICAL WALL & FOOTING 45° DTL  
S11 SCALE: 1/2" = 1'-0"



3 2' RADIUS WALL & FOOTING DTL  
S11 SCALE: 1/2" = 1'-0"



4 TYP CONCRETE POOL WALL  
S11 NTS



5 CONCRETE POOL WALL SECTION  
S11 NTS

**GENERAL NOTES:**  
 1. ALL POOLS ARE N.P.S.I. TYPE II AND ONLY TYPE II EQUIPMENT IS TO BE USED, UNLESS OTHERWISE NOTED.  
 2. VERTICAL DIMENSIONS ON ALL POOLS ARE FROM CONCRETE WALL HEIGHTS.  
 3. STRUCTURAL DESIGN COMPLIES WITH THE 2012 IBC.

**EXCAVATION NOTES:**  
 1. SURROUNDING LAND ELEVATION TO BE 6" LOWER THAN TOP OF POOL.  
 2. 2' TO BE ALLOWED ALL AROUND POOL FOR WORKING AREA IN EXCAVATION. ALL VOIDS UNDER DECK TILES TO BE FILLED AND COMPACTED IN 6" TO 8" LAYERS.  
 3. AT NO TIME SHOULD COMPACTED BACKFILL EXCEED WATER LEVEL OR VICE VERSA MORE THAN 12".  
 4. USE GRANULAR NON-EXPANSIVE MATERIAL (NO CLAY CONTENT) FOR BACKFILL (I.E. SAND, GRAVEL, ECT.).

**FOUNDATION NOTES:**  
 1. FOOTING DESIGN BASED ON 1500 Pcf SOIL BEARING CAPACITY (MINIMUM).

**MATERIAL SPECIFICATIONS:**  
 POOL PLASTER W/ THOROSEAL

**CONCRETE:** f'c = 2500 PSI @ 28 DAYS

**REINFORCING STEEL:** ASTM-A615-GR 60

**WATER STOP:** 3/8" x 6" BLUB WATER STOP

**JOINT SEALANT:** LEAKMASTER LV-1 WATER SWELLING SEALANT OR EQUAL

REVISIONS:	
No.:	DATE:

DRAWING:  
PROJECT:

**SPIDER TIE "WET" - STANDARD ASSEMBLY DRAWING & POOL CORNERS**  
**CASPER POOL**

PLEASANT GROVE, UTAH

**ENGINEERING SPECIALTIES PC**  
Civil Structural Geotechnical  
1576 South 3200 West  
Logan, Utah 84321  
(435) 713-0100

SCALE:	SEE PLAN
DATE:	SEP 10
JOB No.:	SKM
DESIGNED BY:	SKM
DRAWN BY:	HORROCKS

SHEET:  
**S1.1**